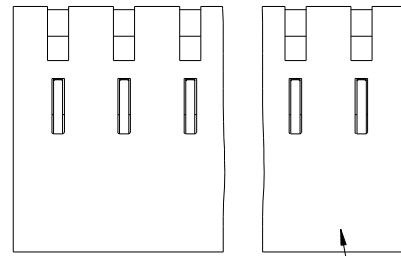


Tous droits strictement réservés. Reproduction ou communication à des tiers interdite sous quelque forme que ce soit sans autorisation écrite du propriétaire. Propriété de c.FCI. Droits de reproduction FCI.

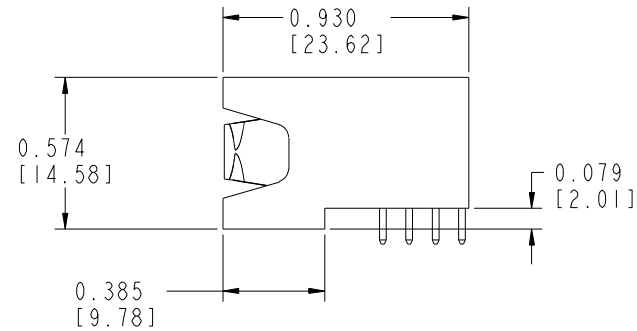
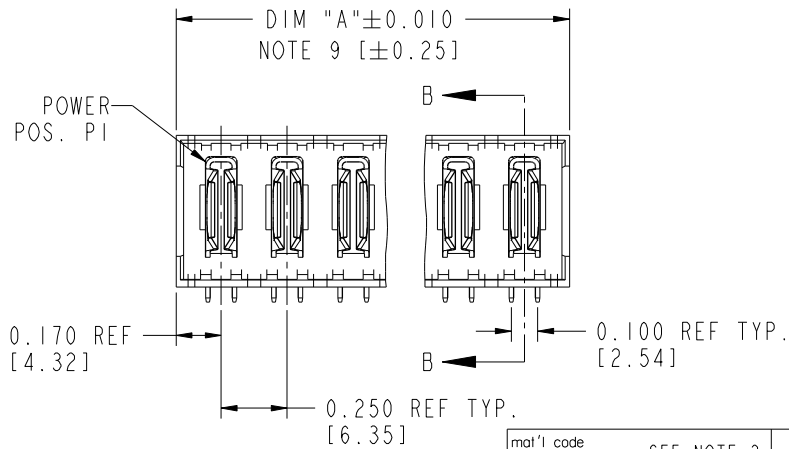


All rights strictly reserved. Reproduction or issue to third parties in any form whatsoever is not permitted without written authority from the proprietor. Property of FCI. Copyright FCI.

PRODUCT NUMBER
51727-ABB00000EF_..
SEE NOTE 1



SEE NOTE 8



mat'l code				SEE NOTE 2		tolerances unless otherwise specified		CUSTOMER		 www.fciconnect.com	
ltr	ecn no.	dr	date	linear	.XX±.01/.XX±.3		COPY		 projection	title	
A	V02387	JRW	10/03/00		.XXX±.005/.XX±.13		 INCH/MM			RIGHT ANGLE HEADER w/o GUIDE PIN POWER	
B	V10990	JWS	04/05/01	angles	.XXXX±.0020/.XXX±.051		scale		product family		
C	V12845	JWS	01/04/02		0°±2°		3:2		PWRBLADE		
D	DG06-0295	JMG	07/20/06	dr	LEV4	10/14/99	size		code		
E	DG07-0080	RYAN	03/09/07	enr	J. BROWN	10/14/99	dwg no		213		
F	DG08-0239	JC	09/11/08	chr	J. BROWN	10/14/99	sheet		1 of 3		
				appd	J. BROWN	10/14/99	sheet		1 of 3		
sheet index	revision sheet	F 1	F 2	F 3			cage code		22526		

Pro/E

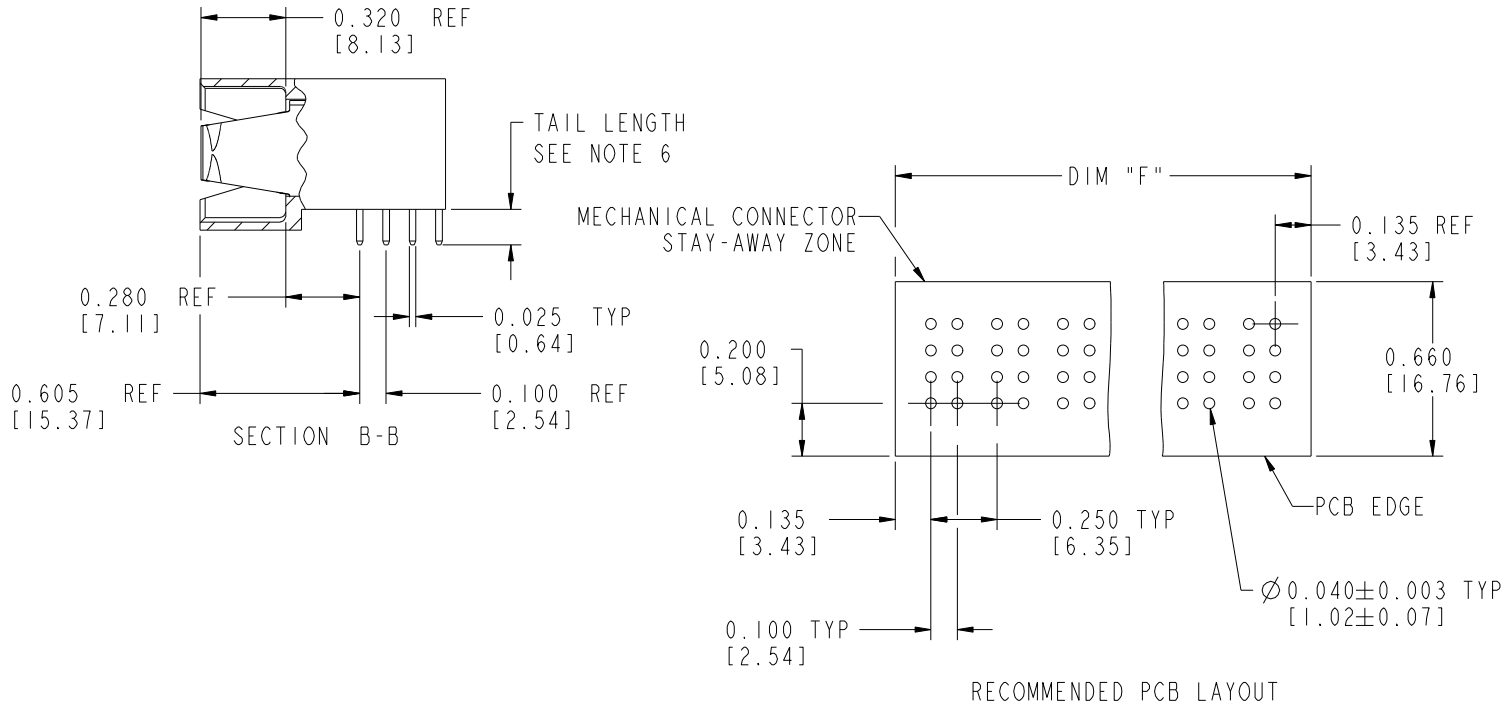
cage code 22526

Tous droits strictement réservés. Reproduction ou communication à des tiers interdite sous quelque forme que ce soit sans autorisation écrite du propriétaire. Propriété de c.FCI. Droits de reproduction FCI.



All rights strictly reserved. Reproduction or issue to third parties in any form whatever is not permitted without written authority from the proprietor. Property of FCI. Copyright FCI.

PRODUCT NUMBER
51727-ABB00000EF_..



mat'l code		NOTE 2		tolerances unless otherwise specified		CUSTOMER		FCI	
litr	ecr no.	dr	date	linear	.XX±.01/.XX±.3	COPY		www.fciconnect.com	
F					.XXX±.005/.XX±.13	projection		title	
				angles	.XXX±.0020/.XXX±.051			RIGHT ANGLE HEADER w/o GUIDE PIN POWER	
				dr	0° ± 2°	INCH/MM		product family	
				enr	LEV4 10/14/99	scale		PWRBLADE	
				chr	J. BROWN 10/14/99	3:2		code	
				appd	J. BROWN 10/14/99	size		213	
sheet index		revision sheet				A		51727	
								sheet 3	

cage code 22526

Pro/E